

## MODEL: SL-HACCP-120W

### Application

Designed for HACCP and NFS Light solution  
For Food and beverage processing industrial

### Specification

#### Electrical Data

Power	: 120W ± 5%
Input	: 100-277VAC 50-60Hz
Power Factor	: >0.95
THD	: <15%
SPD	: 4 KV

#### Photometric Data

Luminous Flux	: 16,800 lm
Efficiency	: 140lm/W
CCT	: 3000K / 4000K / 6000K
CRI	: >80
LED CHIP	: Lumiled
Beam Angle	: 60 / 90 / 120
LED Certificate	: HACCP / NFS Approved

#### Mechanical Data

Weight	: 5.9 KGS
IP rate	: IP66 / IK08
Body Material	: Aluminum Diecast
Lens Material	: Polycarbonate (PC)

### Ordering Data

Model	Watt	CCT	Beam
SL-HACCP-120W		3000K	60D
		4000K	90D
		6000K	120D

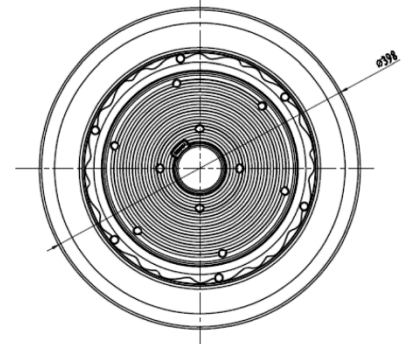
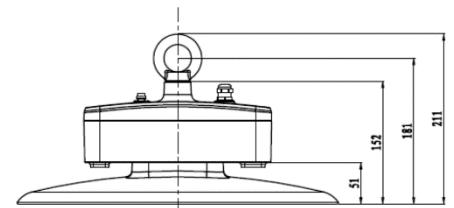
### Accessories Optional



Microwave Sensor



Reflector



LM79

LM80