

Light**FEEL**



**SL-PD12**



[www.lightfeel.net](http://www.lightfeel.net)

# Introduction



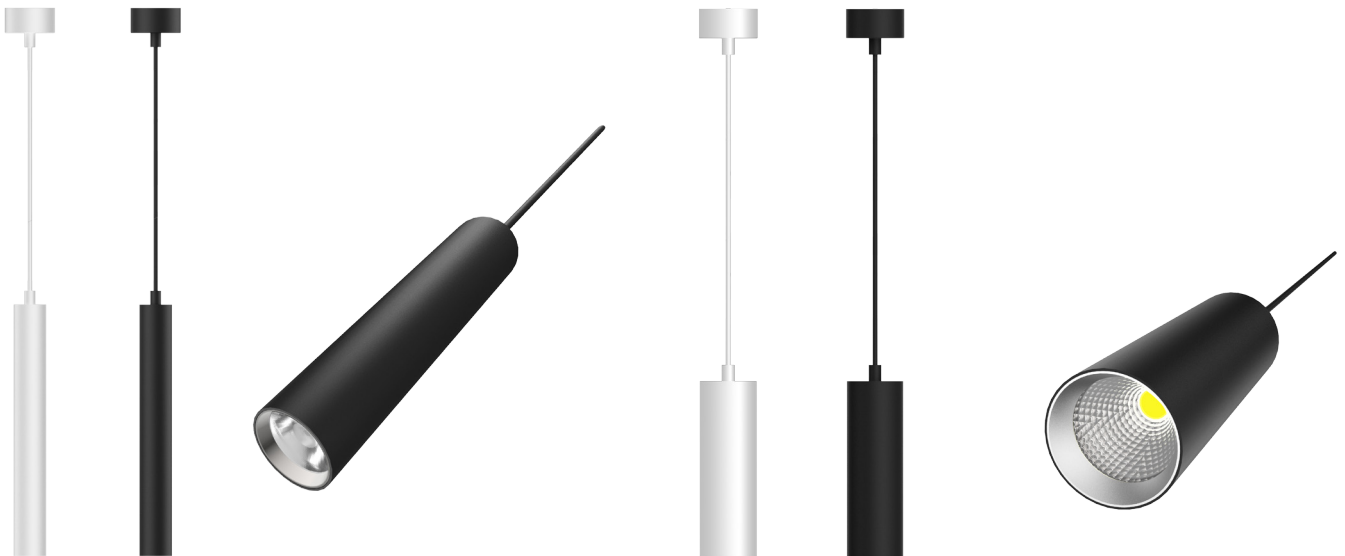
PD12 whole lamp adopts straightforward design with stylish appearance, easy to install, simple and generous, paying more attention to leisure and comfort. It gives space a clear and lively feelings. Different color of surface ring is optional, which could create diversified light atmosphere according to different environment.

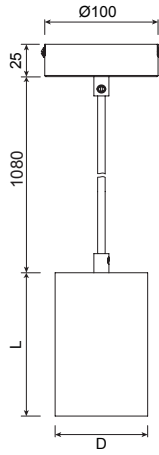
## Features

The lamp adopts high quality reflector which has good reflective rate and light output  $> 85\%$ . High lumen COB chip with  $CRI > 80$ .  $THD < 20\%$ , passed EMC test with strong anti-jamming capability. Besides, it possesses short-circuit protection and overvoltage protection function, showing high safety performance.

## Application Areas

Applicable for residential lighting in bedroom, living room, corridor etc, also suitable for commercial lighting in office, hotel, restaurant etc.





## Measurement

Model	Dimension(mm)		Size(mm)	Product Weight (Kg)		Package weight (Kg)		Carton Size(cm)	Qty/CTN	20GP (pcs)	40HQ (pcs)
	D	L		N.W/PC	G.W/PC	N.W/CTN	G.W/CTN				
5W	39	300	Ø39*300	0.51	0.6	9.2	12	46.5*38*35	18	7776	18900
5W	39	500	Ø39*500	0.65	0.78	11.8	15.5	66.5*38*35	18	5184	12852
10W	58	180	Ø58*180	0.54	0.62	6.5	8.3	47.5*25.5*36	12	7440	18240

## Technical Data Sheet

Model No.			PD12-5W	PD12-5W	PD12-10W
Watt(W)			5W	5W	10W
Dimension(mm)			Ø39*300	Ø39*500	Ø58*180
Rated Input Voltage(V)			AC230V		
Input Voltage(V)			AC200-240V		
LED			COB		
SDCM			<6		
CCT(K)			1-CCT: 2700K / 3000K / 4000K / 5000K		
"Luminous Flux (lm) ±5%	1-CCT	Non-DIM	500	500	1000
		DIM	-	-	-
CRI			≥80		
Beam Angle (°)			24° / 36° / 60°	24° / 36° / 60°	15° / 24° / 36° / 60°
UGR			<19		
LED Driver			Built-in		
DIM			NO		
Protection Class			Class I		
IP Rating			IP20		
IK Rating			-		
Finishing color			Black / White		
Material			Aluminium		
Lifetime (hr)			50,000		
Glow wire test (°C)			750°C		
Operating Temp.(°C)			-20°C ~45°C		
Storage Temp.(°C)			-20°C ~65°C		
Installation			Pendant		
Brand Driver option			-		

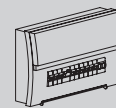
## Driver Datasheet

Power	5W	10W
Rated Input Voltage(V)	AC230V	
Frequency	50/60Hz	
Input Voltage	AC200-240V	
Efficiency	≥78%	≥83%
Total load wattage	5W±0.5W	10W±1W
Power Factor	0.8	0.9
Rated Input Current	≤0.03A	≤0.06A
Full load output voltage	DC24-40V	DC28-40V
Rated output current	110mA	230mA
Output current range	110mA±5%	230mA±5%
Power tolerance	±5%	
Current output tolerance	±5%	
Short circuit protection	PASS	
Over voltage protection	PASS	
Over temperature protection	PASS	
THD	<20% @ 230V	
Surge	L,N-PE 1KV	
Withstand voltage	AC1500V	

## Installation Procedure

### WARNING ⚡

1. Switch off before installation.
2. Switch on only after complete installation and examination of the circuit.
3. Professional electrician for installation and maintenance only.

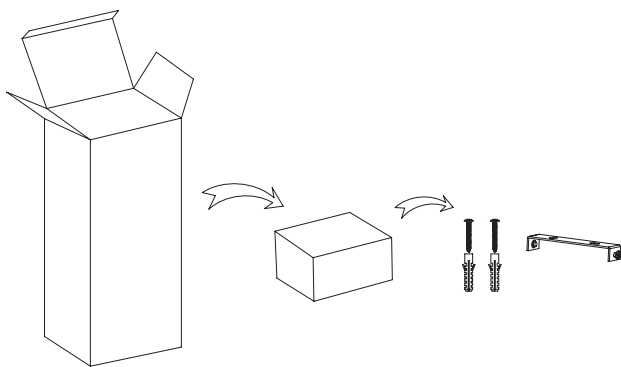


**Turn Off  
Power Supply**

Turn Off power supply before starting any installation. Read instructions & check you have all the tools & accessories to complete the installation correctly.

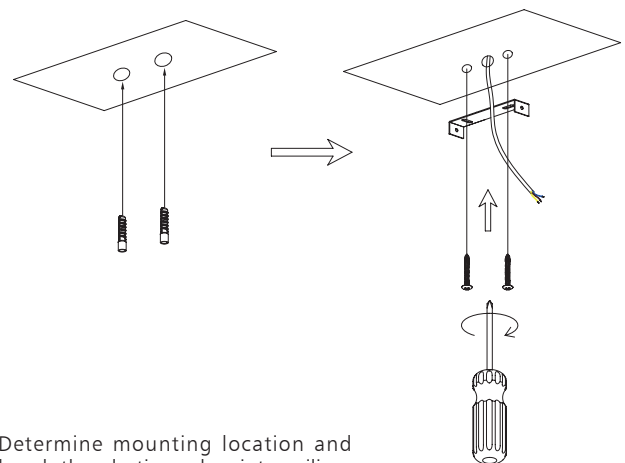
### How to install

#### Step 1



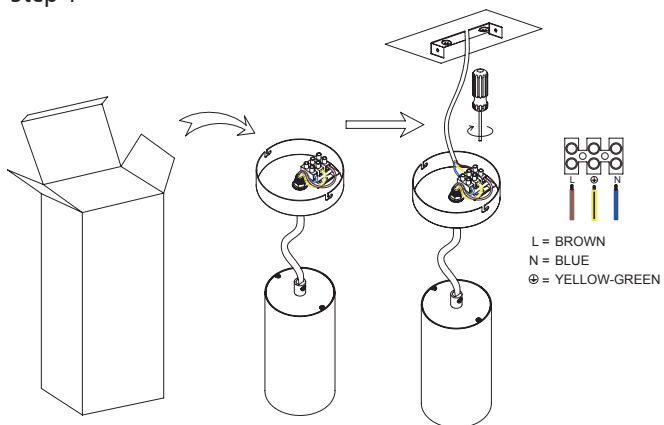
Take out the accessories from accessory box.

#### Step 2



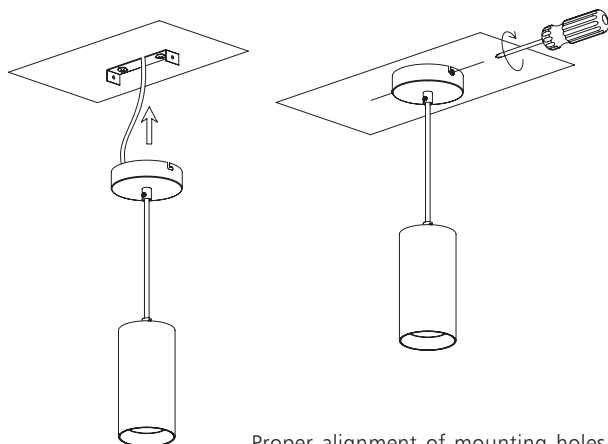
Determine mounting location and knock the plastic anchor into ceiling, fix bracket with screw into the ceiling.

### Step 1



Take out the lamp, connect the corresponding polarities between the wires on the ceiling and terminal block by screwdriver.

### Step 2



Proper alignment of mounting holes between back plate and mounting bracket, then lock them together with screw