

Light**FEEL**



SL-DL277A/B



www.lightfeel.net



Introduction

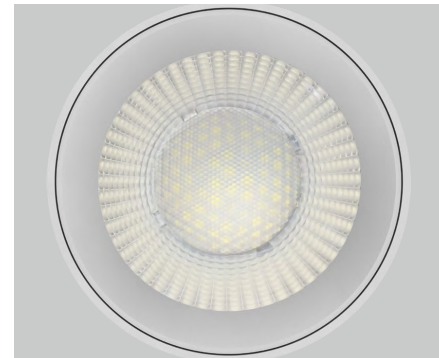
This surface mounted downlight adopts high lumen LED chip and PC lens which make sure the high luminous, DL277A adopts COB chip with four beam angle options: 15°/24°/36°/60°, DL277B adopts SMD chip with 36°/60° beam angle options. 6063 aluminum housing provides excellent thermal dissipation. The installation is very easy, screwless design on surface gives the lamp an IP54 protection level.

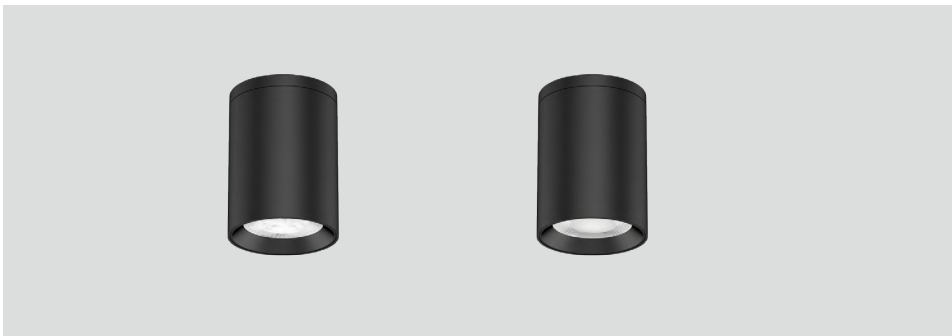
Features

- **Type A:** IP54, COB chip, 15°/24°/36°/60° beam angle options, uniform lighting output.
- **Type B:** IP54, SMD LED chip, 30°/60° beam angle options to reach accent lighting effect.
- Internal driver with triac dimming option.
- Easy installation and maintenance.

Application Areas

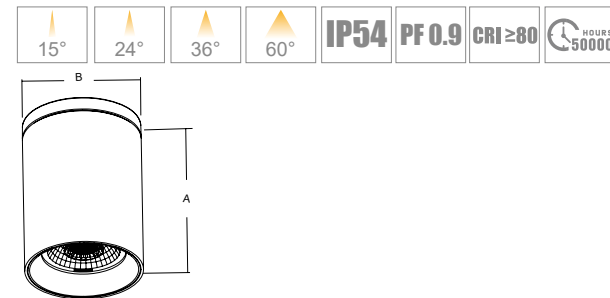
It is widely used in Museums, Hotel, Townhouse, Restaurant, Etc





Technical Data Sheet

Code No.	DL277A - 6W	DL277A - 10W	DL277B - 6W	DL277B - 10W		
Dimension(mm)	Ø70xH100mm					
Cutout (mm)	-					
Watt(W)	6W	10W	6W	10W		
Rated Input Voltage(V)	AC230V					
Input Voltage(V)	AC220-240V					
LED Module Input	-					
Light Source	COB		SMD			
SDCM	≤6					
CCT(K)	1-CCT: 2700K/3000K/4000K/5000K					
CCT Selection DIP Switch	NO					
Luminous Flux (lm) ±5%	Non-DIM	1-CCT	548-621	930-1000	583-600	950-1000
			DIM	538-617	950-1000	583-590
	Non-DIM	3-CCT	-			
			DIM	-		
CRI	Ra>80 (Ra>90 Optional)					
Beam Angle (°)	15°/24°/36°/60°		36°/60°			
UGR	-					
LED Driver	Built-in					
Dimming Option	Triac					
Sensor	NO					
Emergency Kits	NO					
Electrical Class	Class I					
Ingress Protection (IP Rating)	IP54					
Impact Resistance (IK Rating)	-					
Product Finishing(Base)	White RAL 9016 / Black RAL 9005					
Materials of Optics	PC					
Materials of Housing	Aluminum+ PC / PMMA					
Lifetime (hr)	50,000h					
Glow wire test (°C)	850°C					
Operating Temp. (°C)	-20°C ~40°C					
Storage Temp. (°C)	-20°C ~65°C					
Installation	Surface mount					



Measurement

Code	Dimension(mm)		Size(mm)	Product Weight (Kg)		Package weight (Kg)		Carton Size(cm)	Qty/CTN	20GP (pcs)	40HQ (pcs)
	A	B		N.W/PC	G.W/PC	N.W/CTN	G.W/CTN				
DL277A-6W	100	70	100xØ70	0.32	0.32	9.6	10.2	48.5*25*32.5	24PCS	17376	41472
DL277B-6W	100	70	100xØ70	0.32	0.32	9.6	10.2	48.5*25*32.5	24PCS	17376	41472
DL277A-10W	100	70	100xØ70	0.32	0.32	9.6	10.2	48.5*25*32.5	24PCS	17376	41472
DL277B-10W	100	70	100xØ70	0.32	0.32	9.6	10.2	48.5*25*32.5	24PCS	17376	41472

Driver Datasheet (Non-dimmable)

Total load wattage		6W	10W
Output	Output Voltage range	DC30-40V	
	Rated output current	140mA	
	Line Regulation	±5%	
	Setup, Rise Time	<0.5S	
	Flickering Index	1%,IEEE1789 NO RISK	
Input	Input Voltage	AC180-265V	
	Rated Input Voltage(V)	AC200-240V	
	Frequency	50/60Hz	
	Input Current	≤0.04A	≤0.07A
	Rated Input Current	≤0.04A	≤0.06A
	Power Factor	PF > 0.9	
	THD	<20%@230V	<20%
	Efficiency	≥80%	
	No load wattage	<1W	
	Protection	Short circuit protection	PASS
Over voltage protection		PASS	
Over temperature protection		PASS	
Safety & EMC	Withstand voltage	I/P-FG:1.5KVac, <5mA 60S	I/P-FG:1.5KVac, <5mA 60S; I/P:3.75KVac,
	Isolation Resistance	/	
	Surge	IEC/EN61000-4-5 (P<25W; L-N:500V, L/N-PE:1KV);	
	EMC Emission	EN55015, EN61000-3-2	
	EMC Immunity	EN61000-4-2,3,4,5,6,8,11; EN61547	

Driver Datasheet (Triac Dimmable)

Total load wattage		6W	10W
Output	Output Voltage range	DC30-40V	
	Rated output current	130mA	220mA
	Line Regulation	±5%	
	Setup, Rise Time	≤1S	
	Flickering Index	5.5%(LOW RISK)	<10%
Input	Input Voltage	200-240V	
	Rated Input Voltage(V)	230V	
	Frequency	50Hz	
	Input Current	≤0.04A	≤0.06A
	Rated Input Current	≤0.03A	≤0.05A
	Power Factor	0.9	
	THD	-	
	Efficiency	≥78%	
	No load wattage	<1W	
	Short circuit protection	Pass	
Protection	Over voltage protection	Pass	
	Over temperature protection	Pass	
	Withstand voltage	I/P-FG:1.6KVac, <5mA 60S; O/P-FG:0.5KVac, <5mA 60S	
Safety &EMC	Isolation Resistance	I/P-O/P: 500VDC, ≥100M Ω	
	Surge	EC/EN61000-4-5(P<25W; L-N:500V, L/N-PE:1KV);	
	EMC Emission	EN55015, EN61000-3-2	
	EMC Immunity	EN61000-4-2,3,4,5,6,8,11; EN61547	

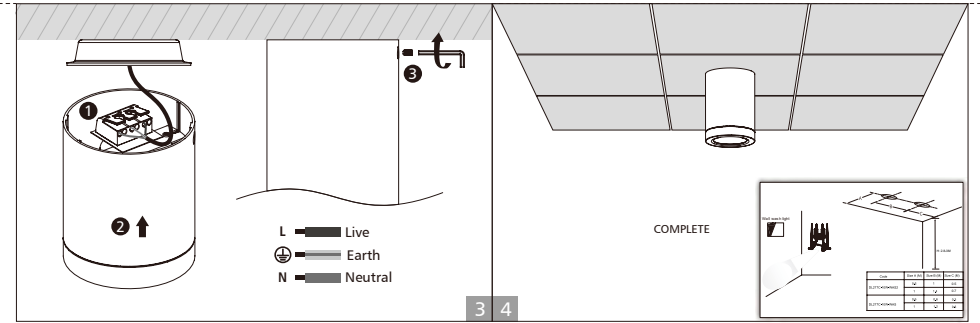
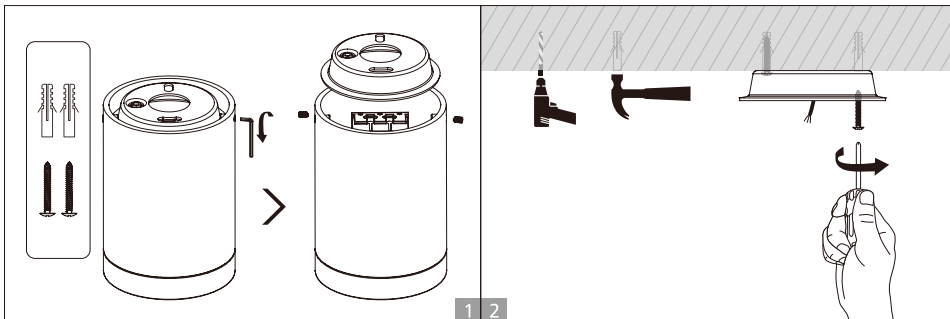
Installation Procedure

WARNING ⚡

1. Switch off power supply before installation / maintenance.
2. Switch on only after complete installation and examination of the circuit.
3. Professional electrician for installation and maintenance only.



Screw surface mounted installation



Rotating surface mounted installation

